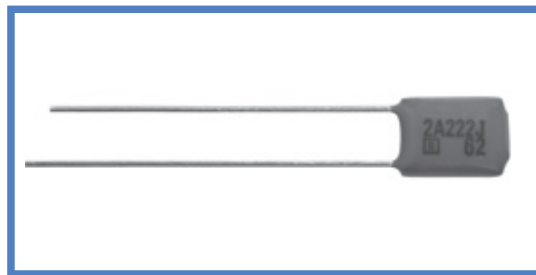


P2S 系列
SERIES

◆ 特 长 / FEATURES

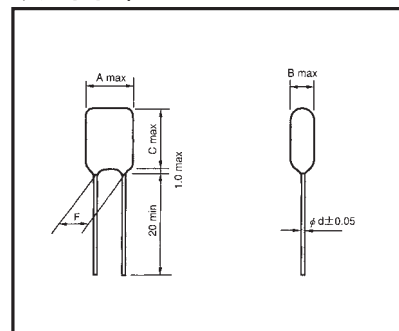
- 在温度特性上的容量变化率为负值。
- 介电质正切值极小的。
- RoHS指令对应品。
- Negative temprature coefficient.
- Dissipation factor is very small.
- RoHS compliance.



◆ 规 格 / SPECIFICATIONS

工作温度/Category Temperature	-25°C ~ +85°C (在超过额定电压70°C时, 请进行使用注意事项所记载的电压降低内容。) (Derate the voltage as shown in the "CAUTION FOR PROPER USE OF FILM CAPACITORS" when using the capacitor beyond 70°C.)
额定电压/Rated Voltage (U _R)	100VDC, 250VDC
静电容量允许差/Capacitance Tolerance	±2%(G), ±3%(H), ±5%(J), ±10%(K)
损失角正切值/tan δ	0.001max at 1kHz
耐电压/Voltage Proof	U _R ×200% 60s
绝缘电阻/Insulation Resistance	30000MΩmin
标准规格/Reference Standard	JIS C 5101-13, JIS C 5101-1

◆ 形状图 / OUTLINE



◆ 产品型号体系 / PART NUMBER



◆ 标准品一览表 / STANDARD SIZE

□ : 静电容量允许差记号 / Tolerance **: 端子加工记号 / Suffix

额定电压 Rated Voltage	额定静电容量 Cap(μF)	尺 寸 Dimensions (mm)						标准包装数 / Typical Packaging Quantity (pcs)							编 号 Part No.
		A	B	C	F	LS±0.5	d	长引线品 Long Lead type		编带(层叠包装)品-其他形状 Taping Ammo pack type - style					
100 VDC	0.00022	6.5	4.0	9.0	3.5±1.0	5.0	0.5	200	5,000	2,000	-	-	-	-	100P2S221□**
	0.00027	6.5	4.0	9.0	3.5±1.0	5.0	0.5	200	5,000	2,000	-	-	-	-	100P2S271□**
	0.00033	6.5	4.0	9.0	3.5±1.0	5.0	0.5	200	5,000	2,000	-	-	-	-	100P2S331□**
	0.00039	6.5	4.0	9.0	3.5±1.0	5.0	0.5	200	5,000	2,000	-	-	-	-	100P2S391□**
	0.00047	6.5	4.5	9.0	3.5±1.0	5.0	0.5	200	5,000	2,000	-	-	-	-	100P2S471□**
	0.00056	6.5	4.0	9.0	3.5±1.0	5.0	0.5	200	5,000	2,000	-	-	-	-	100P2S561□**
	0.00068	6.5	4.0	8.5	3.5±1.0	5.0	0.5	200	5,000	2,000	-	-	-	-	100P2S681□**
	0.00082	6.5	4.0	8.5	3.5±1.0	5.0	0.5	200	5,000	2,000	-	-	-	-	100P2S821□**
	0.001	6.5	4.0	8.5	3.5±1.0	5.0	0.5	200	5,000	2,000	-	-	-	-	100P2S102□**
	0.0012	6.5	4.0	8.5	3.5±1.0	5.0	0.5	200	5,000	2,000	-	-	-	-	100P2S122□**
	0.0015	7.0	4.0	8.5	3.5±1.0	5.0	0.5	200	5,000	2,000	-	-	-	-	100P2S152□**
	0.0018	7.0	4.0	8.5	3.5±1.0	5.0	0.5	200	5,000	2,000	-	-	-	-	100P2S182□**
	0.0022	7.0	4.0	8.5	3.5±1.0	5.0	0.5	200	5,000	2,000	-	-	-	-	100P2S222□**
	0.0027	7.5	4.5	8.5	3.5±1.0	5.0	0.5	200	5,000	2,000	-	-	-	-	100P2S272□**
	0.0033	7.5	4.0	8.5	3.5±1.0	5.0	0.5	200	5,000	2,000	-	-	-	-	100P2S332□**
	0.0039	7.5	4.0	8.5	3.5±1.0	5.0	0.5	200	5,000	2,000	-	-	-	-	100P2S392□**
	0.0047	7.5	4.0	8.5	3.5±1.0	5.0	0.5	200	5,000	2,000	-	-	-	-	100P2S472□**
	0.0056	7.5	4.0	8.5	3.5±1.0	5.0	0.5	200	5,000	2,000	-	-	-	-	100P2S562□**
	0.0068	7.5	5.0	9.5	3.5±1.0	5.0	0.5	200	5,000	2,000	-	-	-	-	100P2S682□**
	0.0082	7.5	5.0	10.0	3.5±1.0	5.0	0.5	200	5,000	1,500	-	-	-	-	100P2S822□**
	0.01	8.0	5.0	10.0	3.5±1.0	5.0	0.5	200	5,000	1,500	-	-	-	-	100P2S103□**
	0.012	8.0	5.0	10.0	3.5±1.0	5.0	0.5	200	5,000	1,500	-	-	-	-	100P2S123□**
	0.015	8.0	5.5	11.0	5.0±1.0	5.0	0.5	200	5,000	1,500	-	-	-	-	100P2S153□**
	0.018	8.5	6.0	11.0	5.0±1.0	5.0	0.5	200	5,000	1,500	-	-	-	-	100P2S183□**
0.022	9.0	6.5	13.5	5.0±1.0	5.0	0.5	200	4,000	1,500	-	-	-	-	100P2S223□**	
0.027	9.0	6.5	13.5	5.0±1.0	5.0	0.5	200	4,000	1,500	-	-	-	-	100P2S273□**	
0.033	9.5	7.0	14.0	5.0±1.0	5.0	0.5	200	4,000	-	-	-	-	-	100P2S333□**	
0.039	10.0	7.0	14.5	5.0±1.0	5.0	0.5	200	4,000	-	-	-	-	-	100P2S393□**	
0.047	11.0	7.0	16.0	7.5±1.5	5.0	0.5	200	3,000	-	-	-	-	-	100P2S473□**	
0.056	11.5	7.0	16.5	7.5±1.5	5.0	0.5	200	3,000	-	-	-	-	-	100P2S563□**	
0.068	12.0	8.0	16.5	7.5±1.5	5.0	0.5	200	3,000	-	-	-	-	-	100P2S683□**	
0.082	12.5	8.5	17.0	7.5±1.5	5.0	0.5	200	3,000	-	-	-	-	-	100P2S823□**	
0.1	12.5	9.5	17.0	7.5±1.5	5.0	0.5	200	1,000	-	-	-	-	-	100P2S104□**	

关于LS, 请参照编带式样 (P169). LS : Please find P169(TAPING SPECIFICATION)

◆标准品一览表/STANDARD SIZE

□ : 静电容量允许差记号 / Tolerance **: 端子加工记号 / Suffix

额定电压 Rated Voltage	额定静电 容量 Cap(μF)	尺寸 Dimensions (mm)						标准包装数 / Typical Packaging Quantity (pcs)								编 号 Part No.
		A	B	C	F	LS±0.5	d	长引线品 Long Lead type		编带 (层叠包装) 品-其他形状 Taping Ammo pack type - style						
								Bag	Carton	TV	-	-	-	-		
250 VDC	0.00022	6.5	4.0	9.0	3.5±1.0	5.0	0.5	200	5,000	1,500	-	-	-	-	250P2S221□**	
	0.00027	6.5	4.0	9.0	3.5±1.0	5.0	0.5	200	5,000	1,500	-	-	-	-	250P2S271□**	
	0.00033	6.5	4.0	9.0	3.5±1.0	5.0	0.5	200	5,000	1,500	-	-	-	-	250P2S331□**	
	0.00039	6.5	4.0	9.0	3.5±1.0	5.0	0.5	200	5,000	1,500	-	-	-	-	250P2S391□**	
	0.00047	6.5	4.5	9.0	3.5±1.0	5.0	0.5	200	5,000	1,500	-	-	-	-	250P2S471□**	
	0.00056	6.5	4.0	9.0	3.5±1.0	5.0	0.5	200	5,000	1,500	-	-	-	-	250P2S561□**	
	0.00068	6.5	4.0	8.5	3.5±1.0	5.0	0.5	200	5,000	1,500	-	-	-	-	250P2S681□**	
	0.00082	6.5	4.0	8.5	3.5±1.0	5.0	0.5	200	5,000	1,500	-	-	-	-	250P2S821□**	
	0.001	6.5	4.0	8.5	3.5±1.0	5.0	0.5	200	5,000	1,500	-	-	-	-	250P2S102□**	
	0.0012	6.5	4.0	8.5	3.5±1.0	5.0	0.5	200	5,000	1,500	-	-	-	-	250P2S122□**	
	0.0015	7.0	4.0	8.5	3.5±1.0	5.0	0.5	200	5,000	1,500	-	-	-	-	250P2S152□**	
	0.0018	7.0	4.0	8.5	3.5±1.0	5.0	0.5	200	5,000	1,500	-	-	-	-	250P2S182□**	
	0.0022	7.0	4.0	8.5	3.5±1.0	5.0	0.5	200	5,000	1,500	-	-	-	-	250P2S222□**	
	0.0027	7.5	4.5	8.5	3.5±1.0	5.0	0.5	200	5,000	1,500	-	-	-	-	250P2S272□**	
	0.0033	7.0	4.5	11.0	3.5±1.0	5.0	0.5	200	5,000	1,500	-	-	-	-	250P2S332□**	
	0.0039	7.0	4.0	11.0	3.5±1.0	5.0	0.5	200	5,000	1,500	-	-	-	-	250P2S392□**	
	0.0047	7.0	4.0	11.0	3.5±1.0	5.0	0.5	200	5,000	1,500	-	-	-	-	250P2S472□**	
	0.0056	7.0	4.5	11.0	3.5±1.0	5.0	0.5	200	5,000	1,500	-	-	-	-	250P2S562□**	
	0.0068	7.0	5.0	11.0	3.5±1.0	5.0	0.5	200	5,000	1,500	-	-	-	-	250P2S682□**	
	0.0082	8.0	5.0	11.0	3.5±1.0	5.0	0.5	200	5,000	1,500	-	-	-	-	250P2S822□**	
	0.01	8.0	5.0	11.5	5.0±1.0	5.0	0.5	200	5,000	1,500	-	-	-	-	250P2S103□**	
	0.012	9.0	5.5	12.0	5.0±1.0	5.0	0.5	200	4,000	1,000	-	-	-	-	250P2S123□**	
	0.015	9.0	5.5	13.5	5.0±1.0	5.0	0.5	200	4,000	1,000	-	-	-	-	250P2S153□**	
	0.018	9.5	6.5	14.5	5.0±1.0	5.0	0.5	200	4,000	1,000	-	-	-	-	250P2S183□**	
	0.022	10.0	6.5	14.5	5.0±1.0	5.0	0.5	200	3,000	1,000	-	-	-	-	250P2S223□**	
	0.027	10.5	7.0	14.5	5.0±1.0	5.0	0.5	100	3,000	1,000	-	-	-	-	250P2S273□**	
	0.033	11.5	7.0	17.0	7.5±1.5	5.0	0.5	100	3,000	-	-	-	-	-	250P2S333□**	
	0.039	11.5	7.0	17.0	7.5±1.5	5.0	0.5	100	3,000	-	-	-	-	-	250P2S393□**	
	0.047	12.0	8.0	17.0	7.5±1.5	5.0	0.5	100	2,000	-	-	-	-	-	250P2S473□**	
	0.056	12.5	8.0	18.0	7.5±1.5	5.0	0.5	100	2,000	-	-	-	-	-	250P2S563□**	
0.068	13.5	9.0	18.0	7.5±1.5	5.0	0.6	100	2,000	-	-	-	-	-	250P2S683□**		
0.082	13.5	9.0	18.0	7.5±1.5	5.0	0.6	100	1,000	-	-	-	-	-	250P2S823□**		
0.1	14.5	10.0	21.5	7.5±1.5	5.0	0.6	100	1,000	-	-	-	-	-	250P2S104□**		